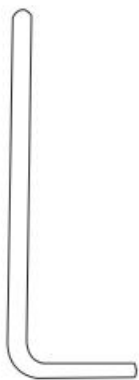


交流充电桩接线说明

AC EV Charger Wiring Instruction

无需打开充电桩面盖。

No need to open the charger's cover.



六角扳手
Hexagonal wrench



接线端子
Terminal



单相母端连接体主体
Single phase female connector body

单相母端连接器套件

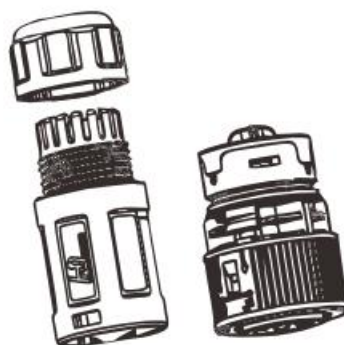
Single-phase female connector kit



六角扳手
Hexagonal wrench



接线端子
Terminal



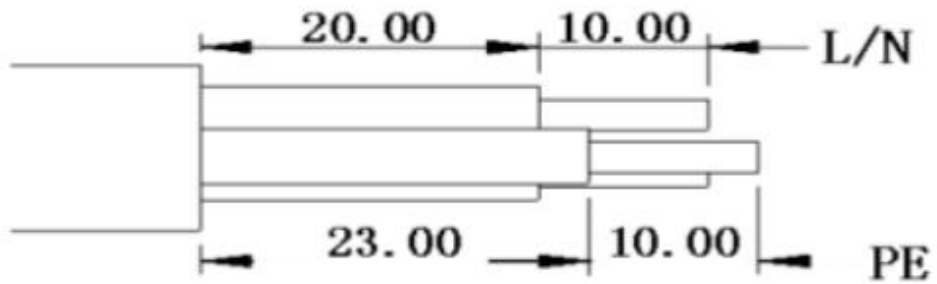
三相母端连接体主体
Three-phase female connector body

三相母端连接器套件

Three-phase female connector kit

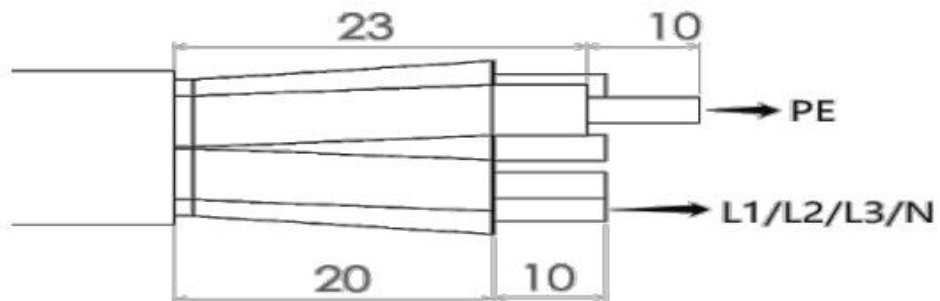
步骤一：按照下方剥线尺寸进行剥线。

Step 1: Strip the cable according to the strip dimension as below.



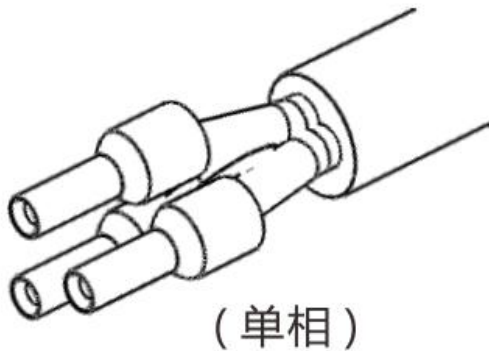
单相线缆剥线尺寸 (mm)

Strip dimension of single-phase cable (mm)



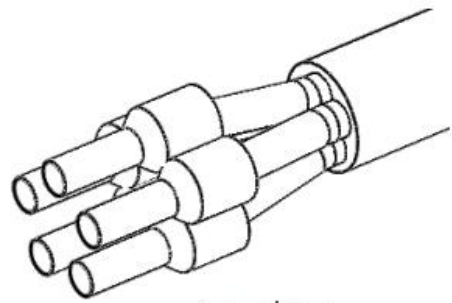
三相线缆剥线尺寸 (mm)

Strip dimension of three-phase cables (mm)



(单相)

Single-phase



(三相)

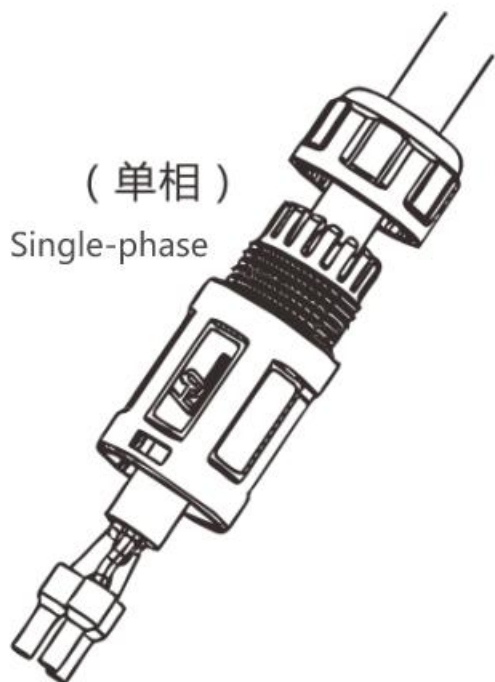
Three-phase

步骤二:

将接线端子套在剥好的电缆上，并用压线钳压接。

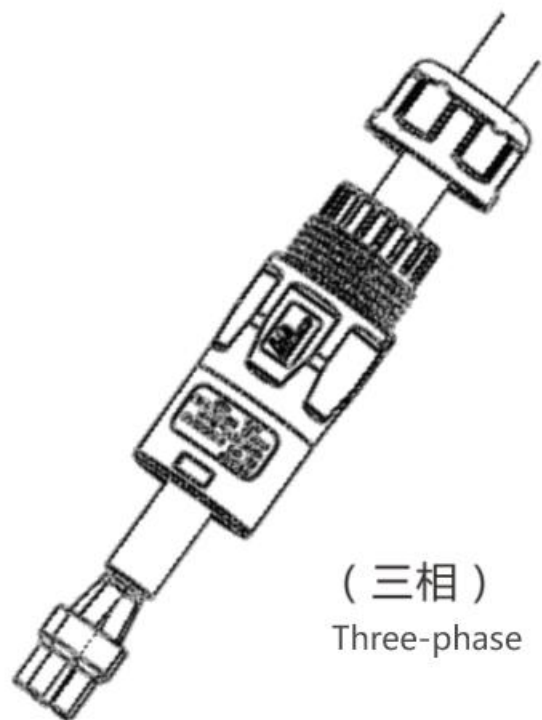
Step 2:

Put the terminal on the stripped cable and crimp it with a crimping pliers.



(单相)

Single-phase



(三相)

Three-phase

步骤三:

将母端连接器主体按照图示朝向套入线缆。

Step 3:

Insert the female connector body into the cable as shown in the figure.



单相接头
Single-phase connector

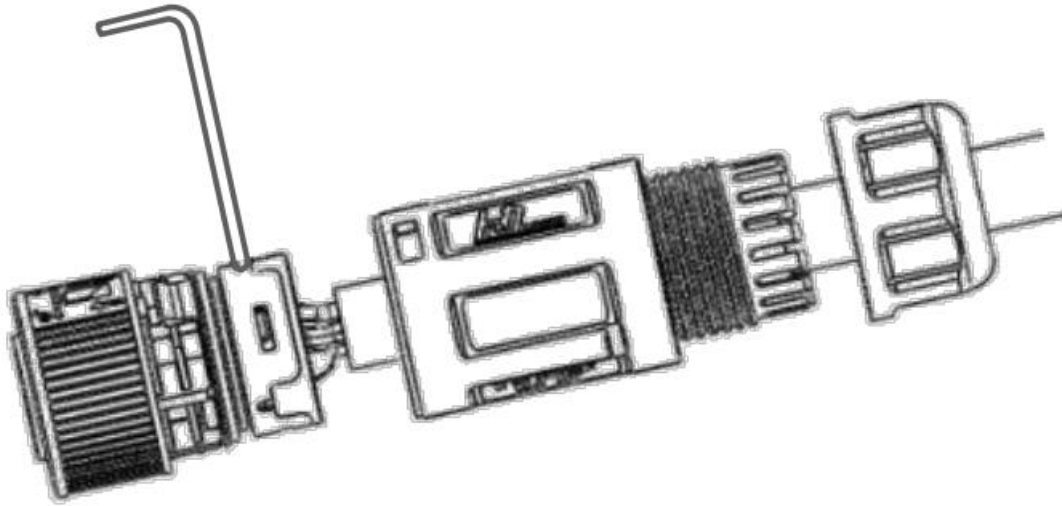


三相接头
Three-phase connector

相对应的线缆颜色：
Corresponding cable color

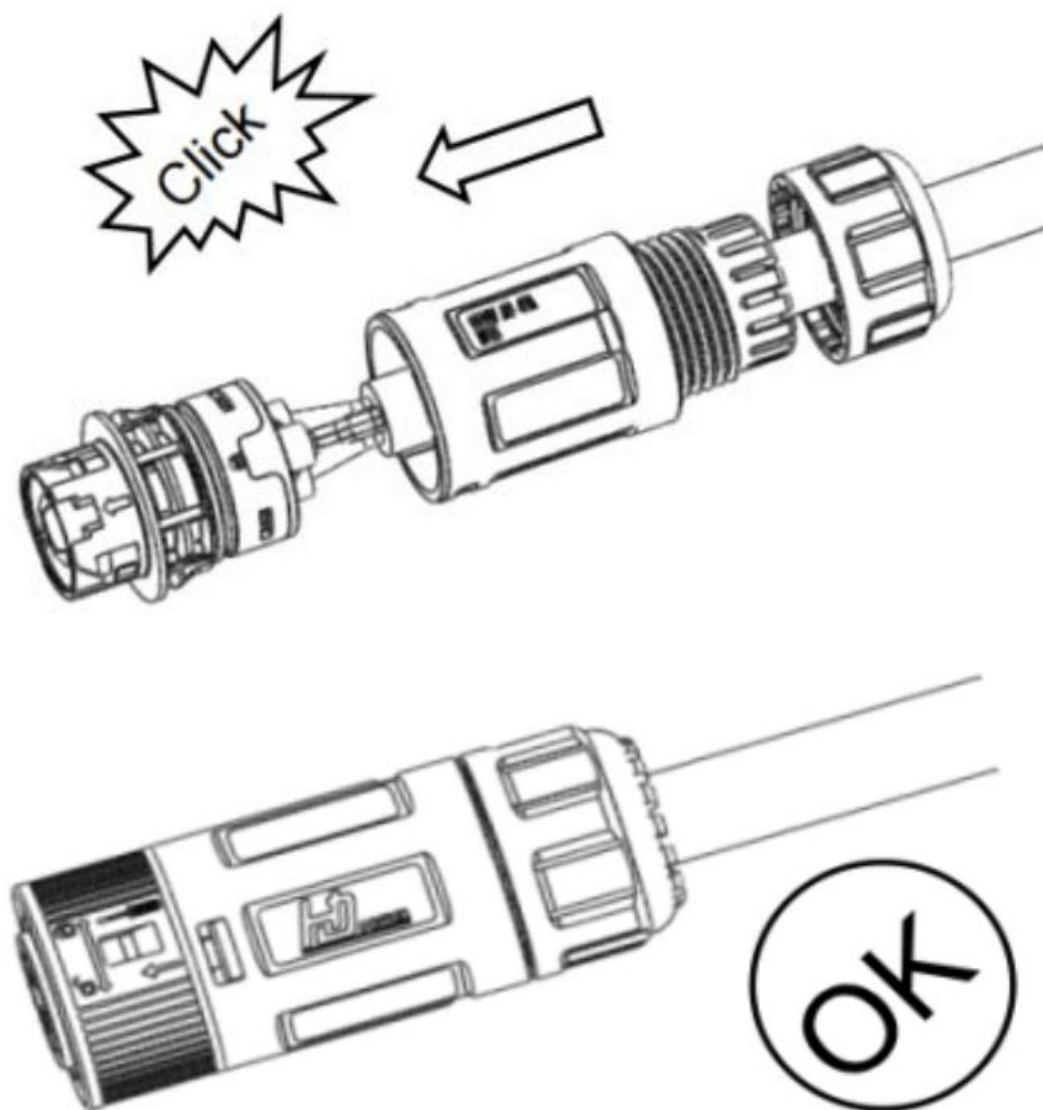
L: 棕色 Brown
N: 蓝色 Blue
PE: 黄绿色 Yellow & Green

L1: 棕色 Brown
L2: 黑色 Black
L3: 灰色 Gray



步骤四：
将压接好的线缆插入相对应的端子孔，并用六角扳手进行固定。

Step 4:
Insert the crimped cable into the corresponding terminal hole, and secure the cable with a hex wrench.

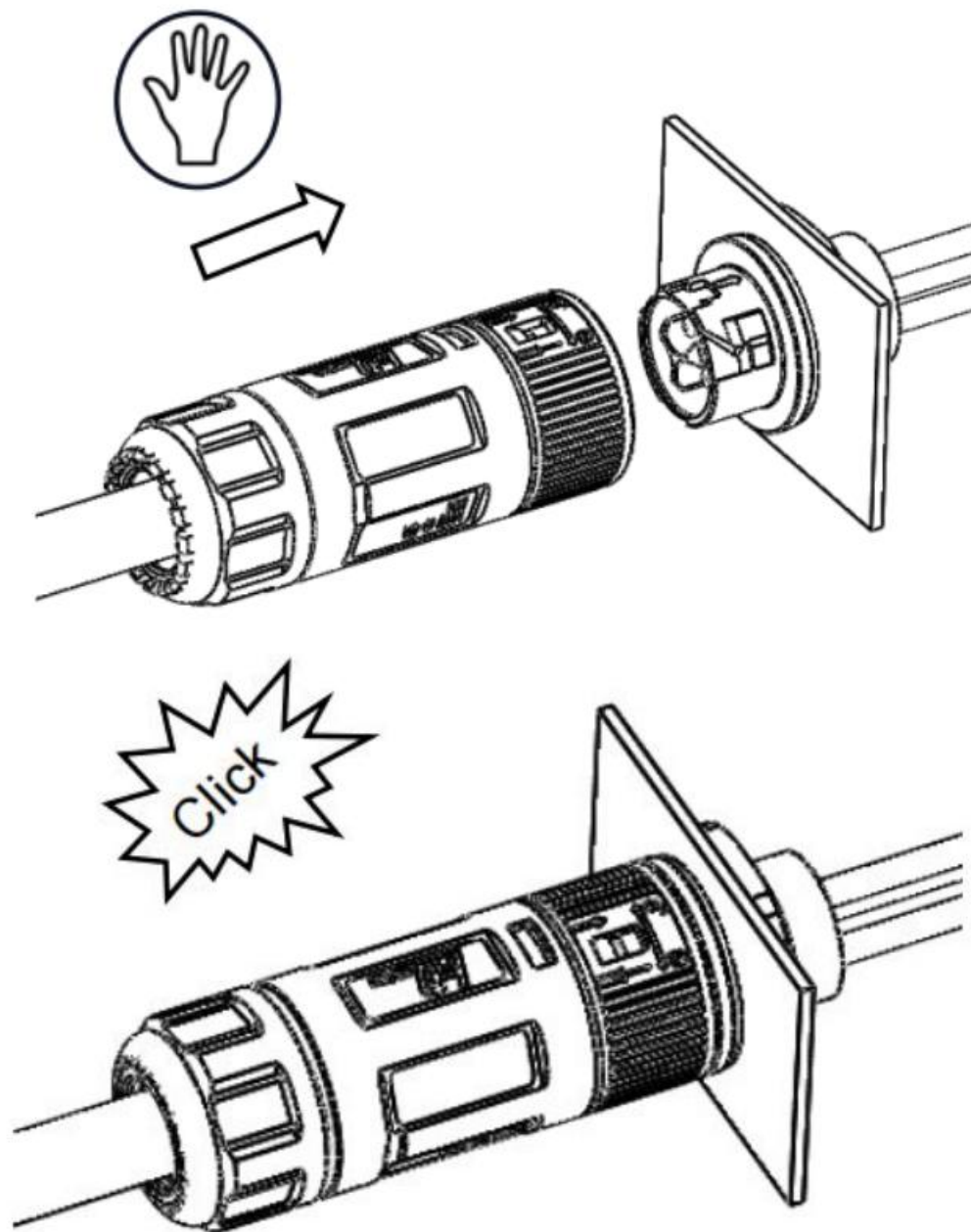


步骤五:

将原先套入线缆的连接器主体按图示方向套入接好的母端接头对应的卡扣，并听到“咔嚓”一声，然后将尾端的部件用手拧紧。表明母端接头已经安装完成。

Step 5 :

Insert the connector body into the cable in the direction shown in the figure into the buckle corresponding to the connected female connector, and hear a "click" sound, and then hand tighten the parts at the end. It indicates that the female connector has been installed.



步骤六：

将接好的母端连接器插入预留在充电桩底部的公端连接头，并听到“咔嗒”一声，表明接线已经完成。

Step six:

Insert the connected female connector into the male connector reserved at the bottom of the AC EV charger, and hear a "click" sound, indicating that the connection is complete!